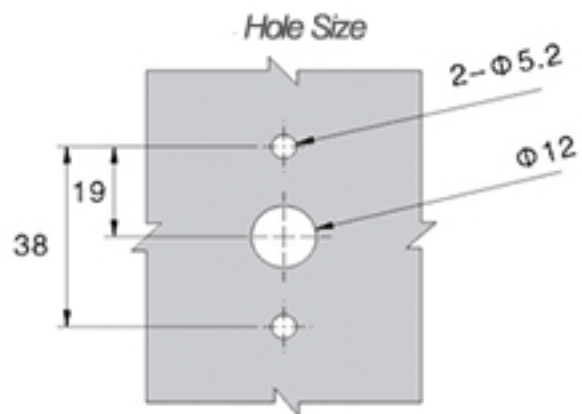
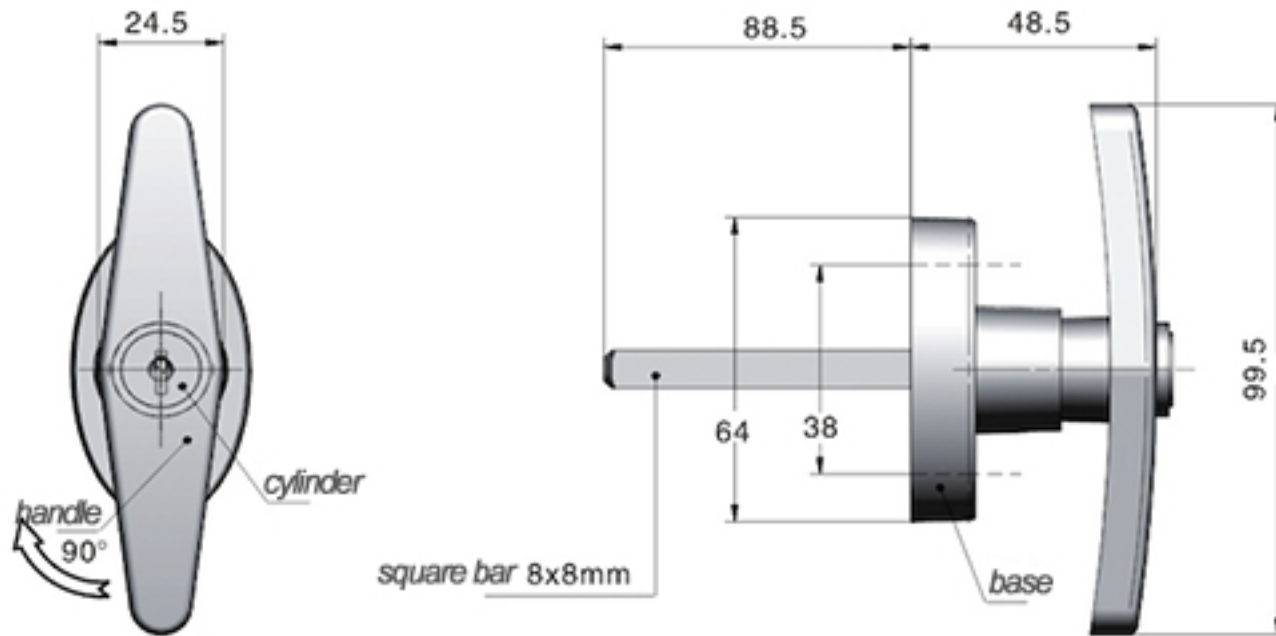


TECHNICAL DRAWING



TW333-A



TW333-A-2

Tower Industry
YOUR MANUFACTURING BASE IN CHINA

Sales@tower-machinery.com
www.tower-machinery.com

Handle Lock

MATERIA: ZDC cylinder, base, handle. Steel shaft.

SURFACE: Chrome plated cylinder. Power coated handle and base. Zinc plated shaft.

REMARK: 90 degree turn achieve open and lock.