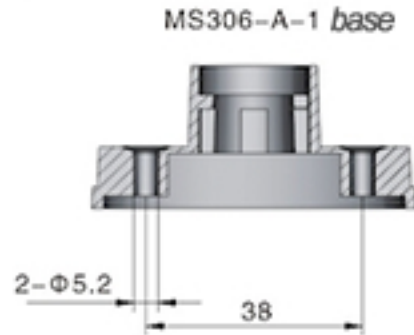
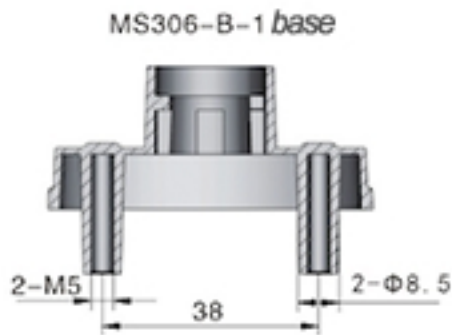
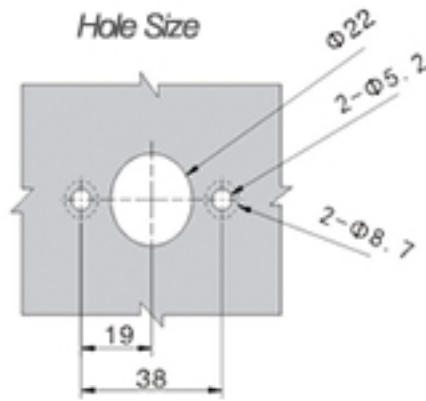
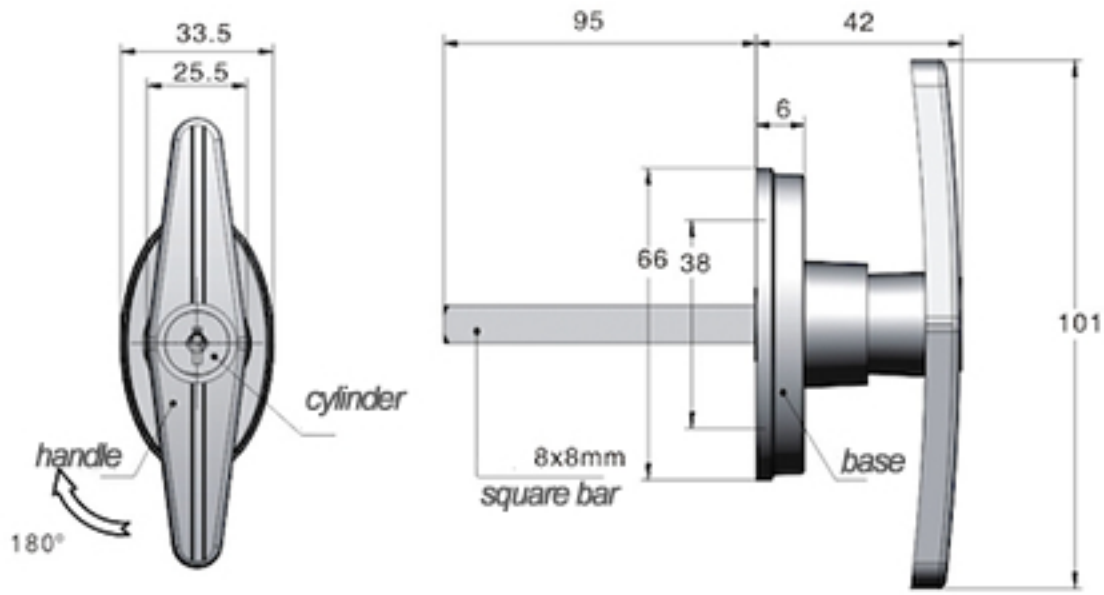


TECHNICAL DRAWING



TW306-A-1



TW306-B-1

Tower Industry

YOUR MANUFACTURING BASE IN CHINA

Sales@tower-machinery.com

www.tower-machinery.com

Handle Lock

MATERIAL: ZDC base, handle, cylinder. Steel shaft.

SURFACE: Chrome plated cylinder, power coated handle and base. Zinc plated shaft.

REMARK: 180 degree turn achieve open and lock