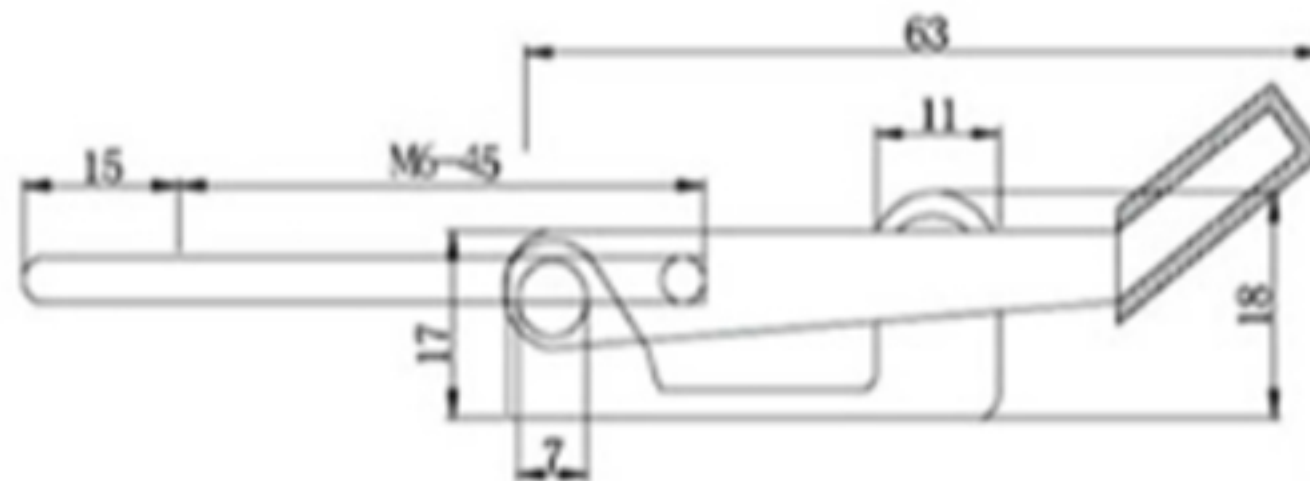
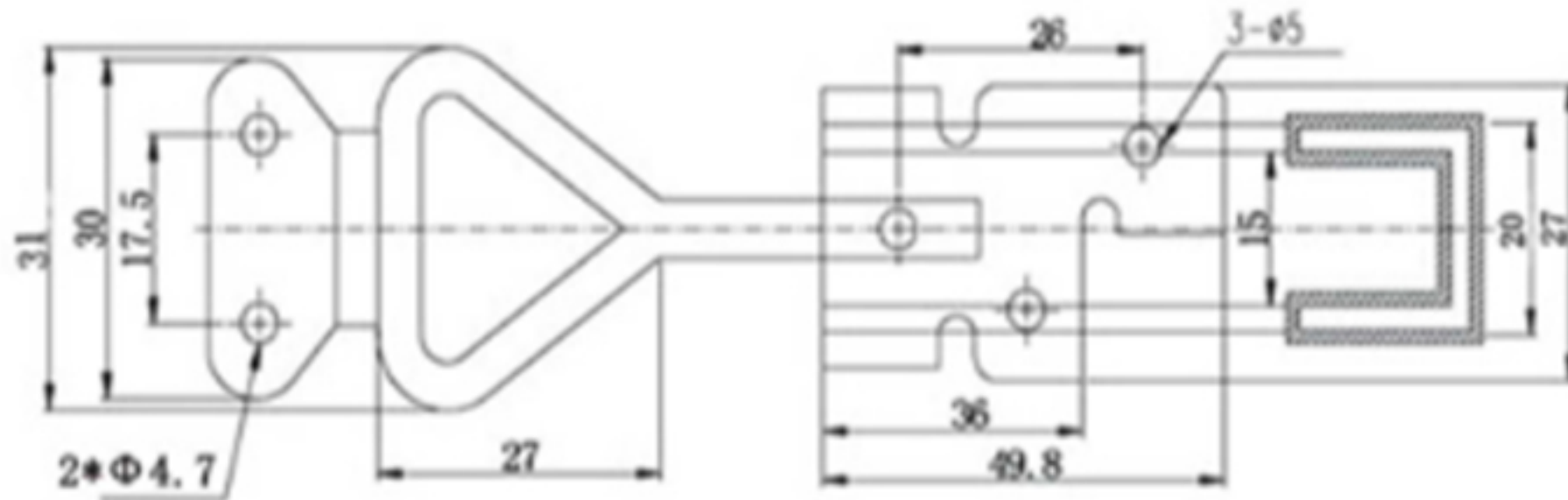


# TECHNICAL DRAWING



**Tower Industry**  
YOUR MANUFACTURING BASE IN CHINA

Sales@tower-machinery.com  
www.tower-machinery.com

TW-4003  
TW-4003SS

Toggle Latch

DIMENSIONS:

MATERIAL: Steel / stainless steel

FINISH: Zinc / no