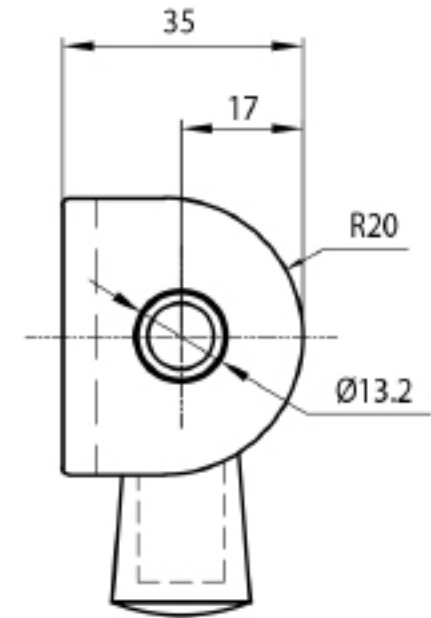
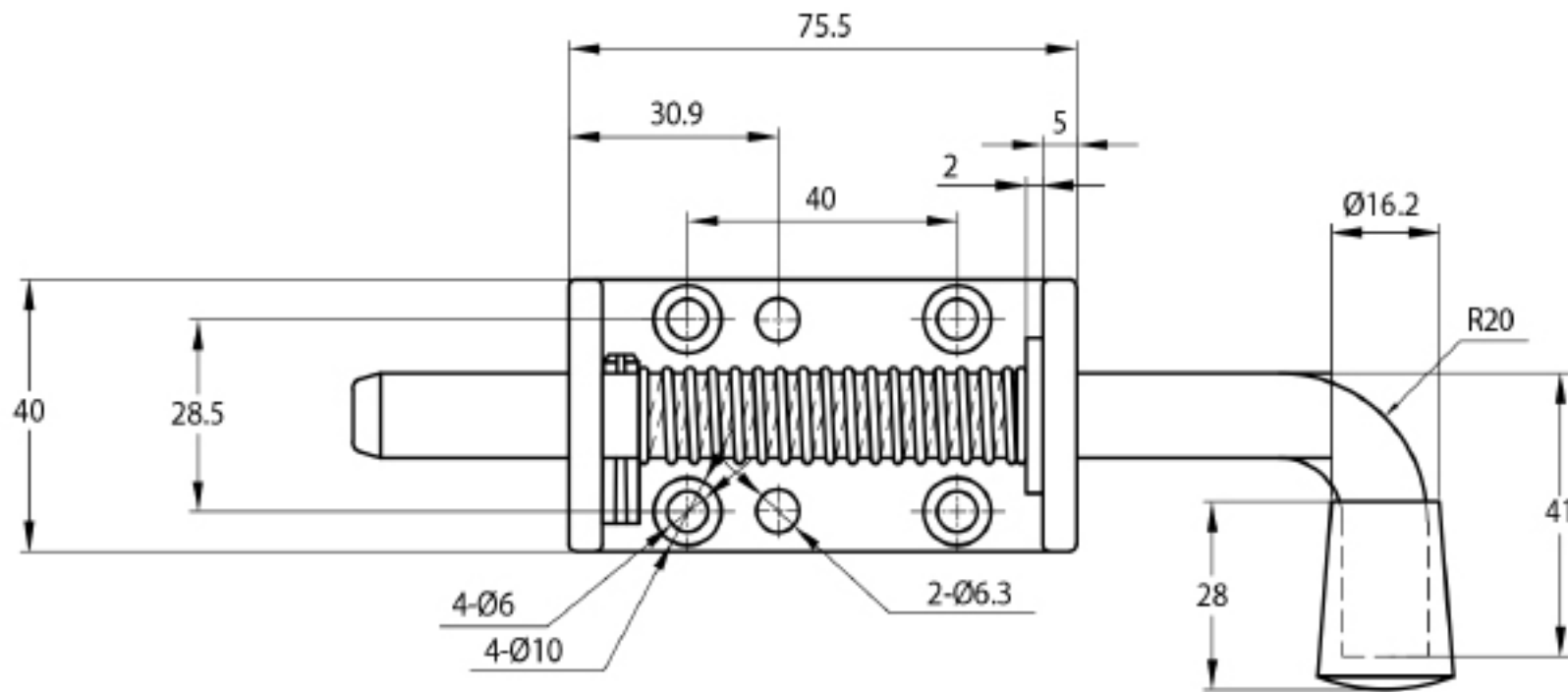
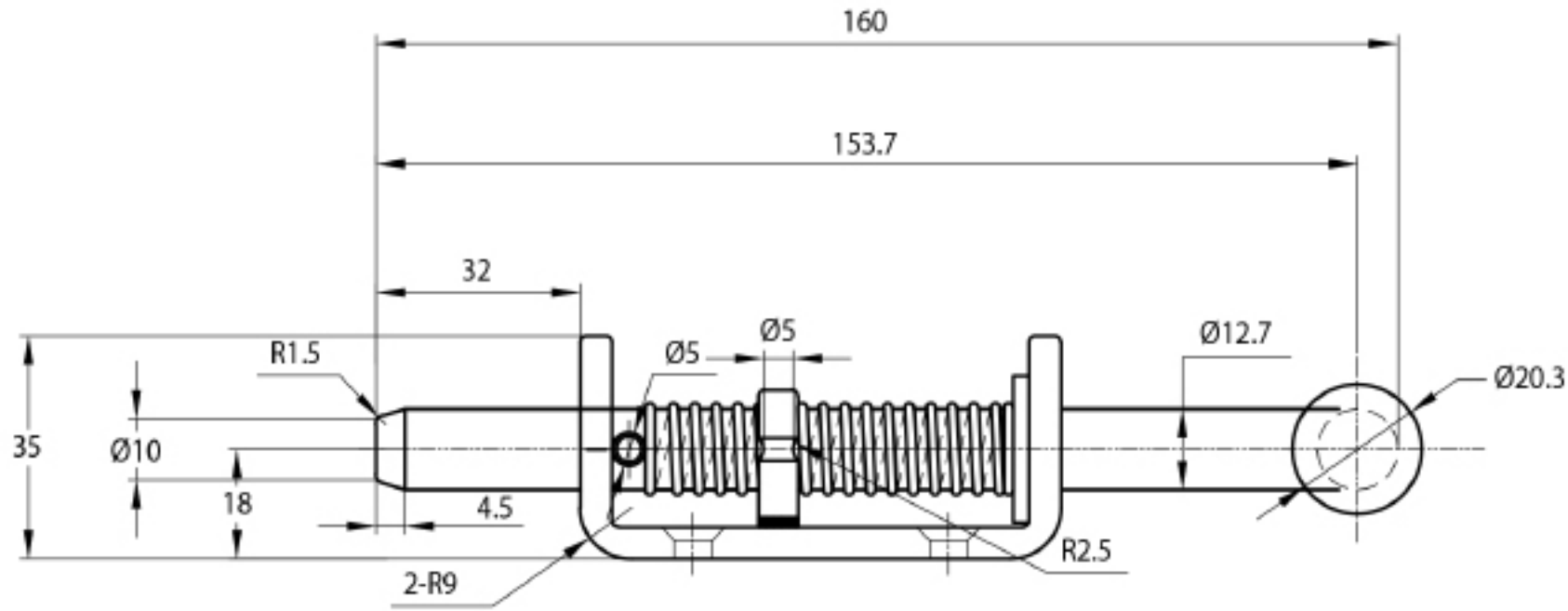


TECHNICAL DRAWING



Tower Industry
YOUR MANUFACTURING BASE IN CHINA

Sales@tower-machinery.com
www.tower-machinery.com

TW-P-001
Spring Latch

DIMENSIONS: 160mm

MATERIAL: Steel

FINISH: Zinc