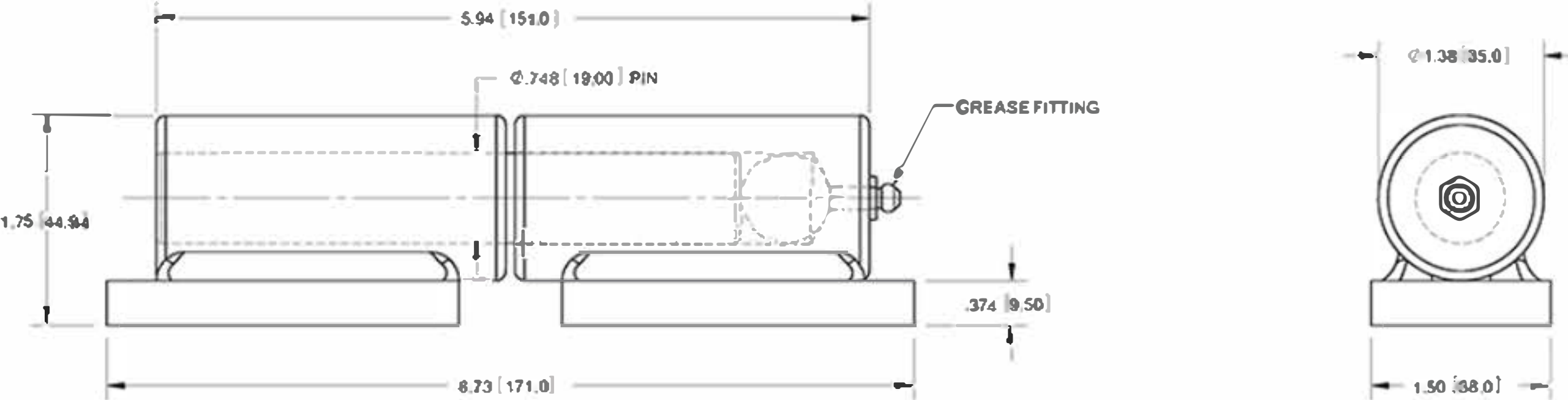


TECHNICAL DRAWING



Tower Industry
YOUR MANUFACTURING BASE IN CHINA

Sales@tower-machinery.com
www.tower-machinery.com

TW-SBH7002
Barrel Hinge

DIMENSIONS: 7"
MATERIAL: Steel
FINISH: Power coated